

## EUP40T-1W24V-0

### Product Feature

- Single-channel constant voltage output,24VDC
- Support Leading edge (Triac) and Trailing edge (ELV) Dimmer
- Dimming range from 40VAC to 240V AC
- High efficiency of 87%
- Dimming effect smooth, no flicker
- Short Circuit protection; Over load protection
- Suitable for indoor LED lighting application



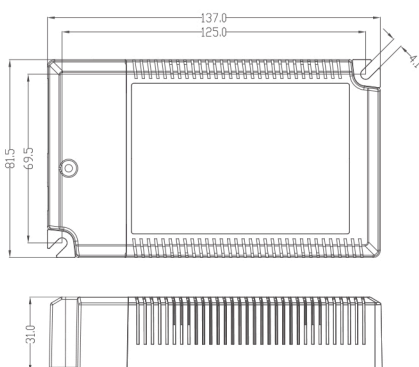
### Application



### Technical Parameters

Model	EUP40T-1W24V-0	
Input	Efficiency	87%@230VAC, Full load
	Voltage	200VAC-240VAC
	Frequency	50/60Hz
	Current	0.5Amax@230VAC, Full load
	Dimming voltage range	40-240VAC
	Inrush Current	Cold start 45A(twidth=13.6us measured at 50% Ipeak )@230VAC
Output	Current/Voltage/Power	1.6A/24VDC/38.4W
	R & N (Max)	240mVp-p
	Channel	1
	Voltage Tolerance	±3%
Function	Dimming Mode	Triac <span style="float: right;">ELV</span>
Protection	Short Circuit	Close the output, restart to recover since fault condition is removed for 10s
	Over Current	Hiccup mode, recovers after fault condition is removed
Others	Working Temp.	-20°C~40°C
	Storage Temp.; Humidity	-40°C~85°C, 20-90%RH
	Tc	75°C
	Material	PC
	IP Rating	IP20
	Lifetime	30,000h@tc:75°C
	Warranty Condition	3 years
	Switch Cycle	>15,000 times
	Packing Size	Net weight: 210g±5%/PCS; 50PCS/Carton; 11kg±5%/Carton; Carton Size: 516*337*179cm(L*W*H)
	Dimension	137*82*31mm(L*W*H)

### Dimension(mm)



### Wiring Diagram

