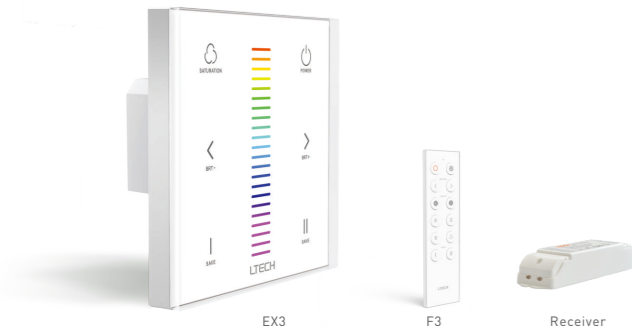


# EX3 Touch Panel (RGB)



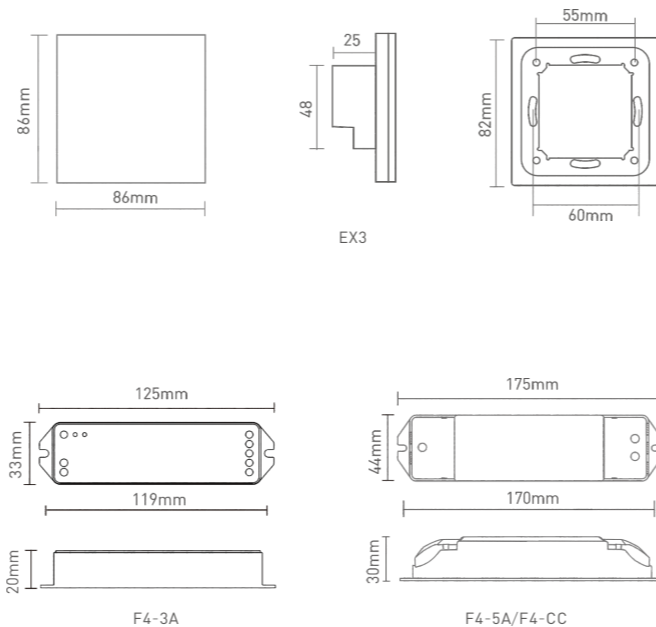
Manual  
www.ltech-led.com

## Technical Specs

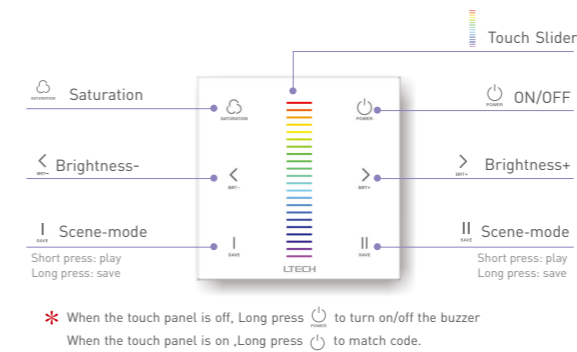
|                                    |                            |                |                   |
|------------------------------------|----------------------------|----------------|-------------------|
| EX3 RGB Touch Panel                |                            |                |                   |
| Input Voltage:                     | 100~240Vac                 | Dimensions:    | L86×W86×H36(mm)   |
| Output Signal:                     | RF 2.4GHz, DMX512          | Package Size:  | L113×W112×H50(mm) |
| Working Temp.:                     | -30°C~55°C                 | Weight(G.W.):  | 225g              |
| F4-3A CV Receiver                  |                            |                |                   |
| Input Voltage:                     | 5~24Vdc                    | Working Temp.: | -30°C~55°C        |
| Current Load:                      | 3A × 4CH Max. 12A          | Dimensions:    | L125×W33×H20(mm)  |
| Max Output Power:                  | 60W/144W/288W(5V/12V/24V)  | Package Size:  | L127×W35×H24(mm)  |
| Wireless Signal:                   | 2.4GHz                     | Weight(G.W.):  | 60g               |
| F4-5A CV Receiver                  |                            |                |                   |
| Input Voltage:                     | 5~24Vdc                    | Working Temp.: | -30°C~55°C        |
| Current Load:                      | 5A × 4CH Max. 20A          | Dimensions:    | L175×W44×H30(mm)  |
| Max Output Power:                  | 100W/240W/480W(5V/12V/24V) | Package Size:  | L178×W48×H33(mm)  |
| Wireless Signal:                   | 2.4GHz                     | Weight(G.W.):  | 150g              |
| F4-CC CC Receiver                  |                            |                |                   |
| Input Voltage:                     | 12~48Vdc                   | Working Temp.: | -30°C~55°C        |
| Output Voltage:                    | 3~46Vdc                    | Dimensions:    | L175×W44×H30(mm)  |
| Output Current:                    | CC 350/700/1050mA×4CH      | Package Size:  | L178×W48×H33(mm)  |
| Output Power:                      | 1.05W~48.3W×4CH Max 193.2W | Weight(G.W.):  | 165g              |
| Wireless Signal:                   | 2.4GHz                     |                |                   |
| Note: Receiver is sold separately. |                            |                |                   |



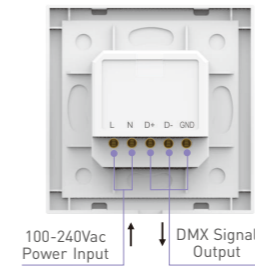
## Product Size:



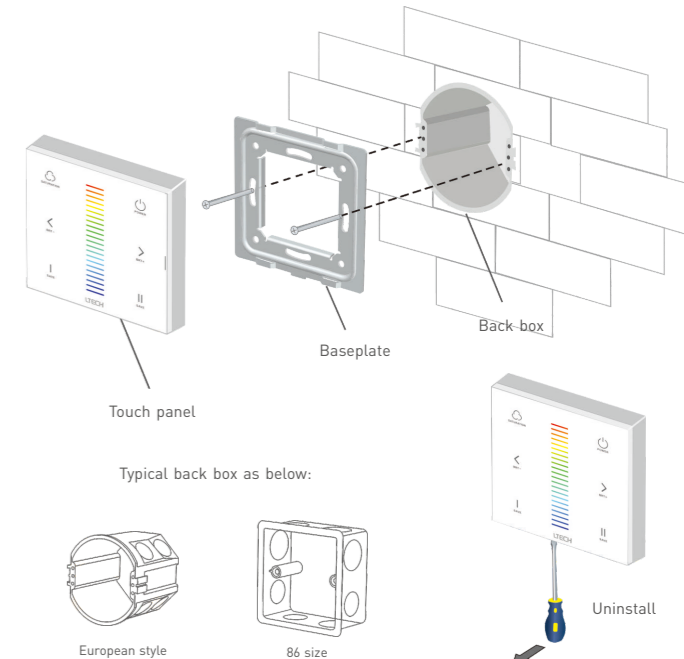
## Key Functions:



## Terminals:

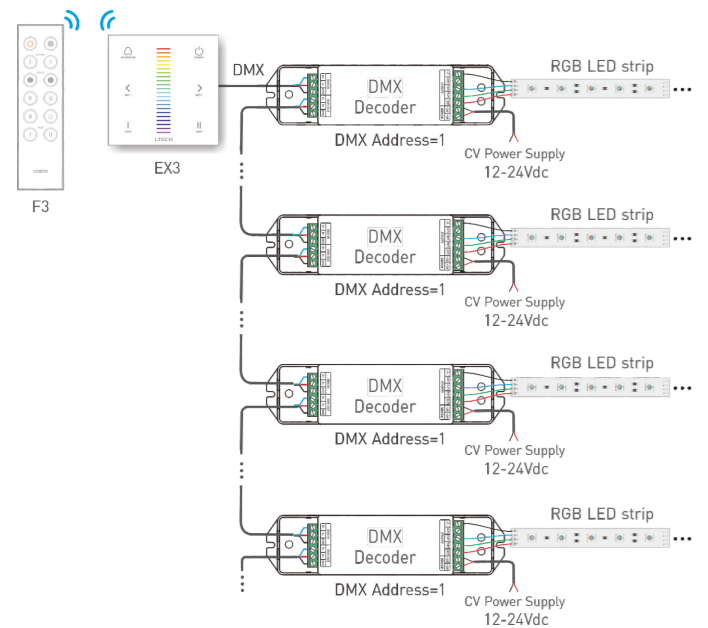


## Installation Instruction:



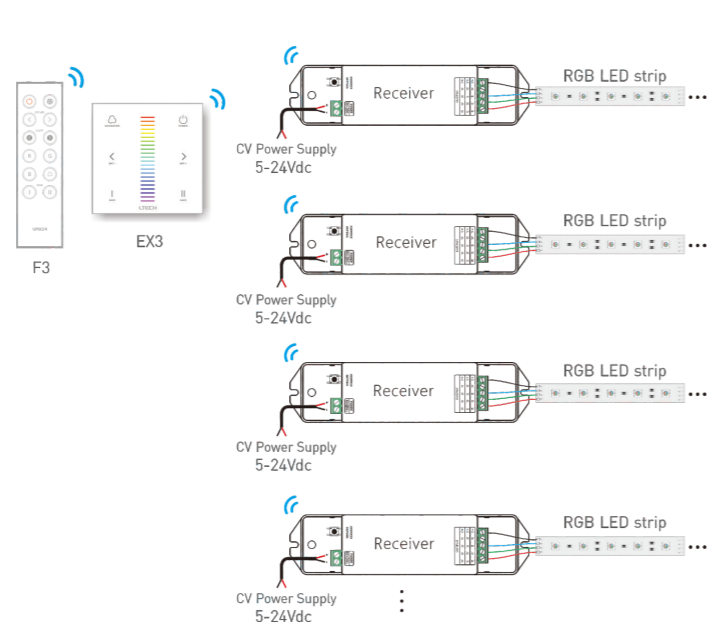
## DMX Wiring:

LTECH



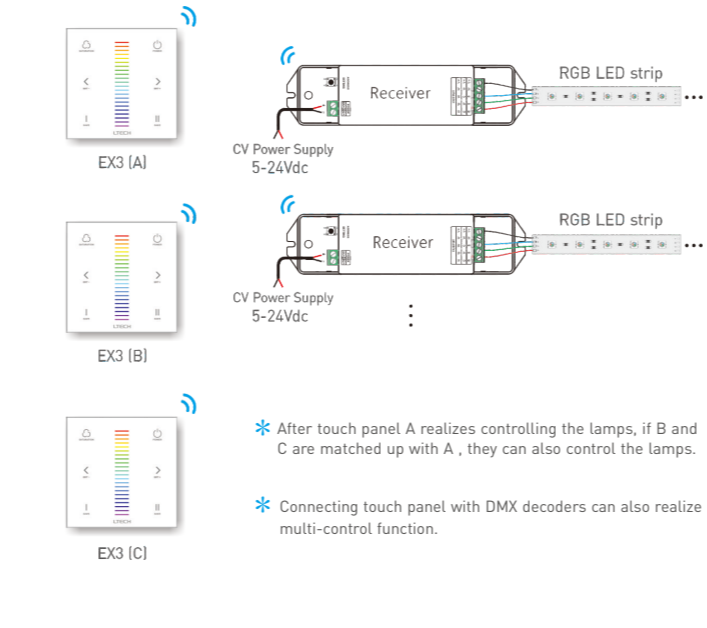
## RF Wireless Wiring:

LTECH



## Multi-control Wiring:

LTECH



\* After touch panel A realizes controlling the lamps, if B and C are matched up with A, they can also control the lamps.

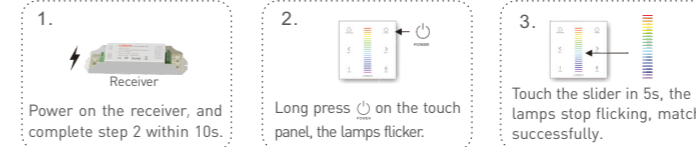
\* Connecting touch panel with DMX decoders can also realize multi-control function.

## Match/Clear Code between Touch Panel & Receiver

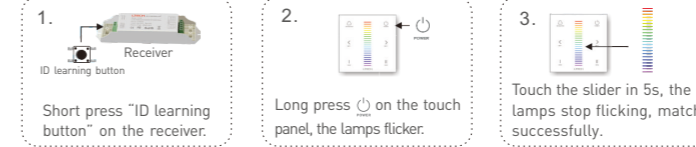
LTECH

### Match code:

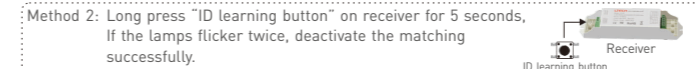
Method 1 : When the touch panel is on and the wiring between the receiver and the lamps are correct.



Method 2 : When the touch panel is on and the wiring between the receiver and the lamps are correct.



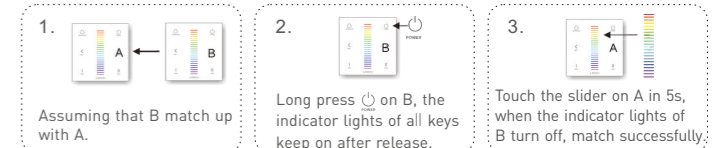
### Clear code:



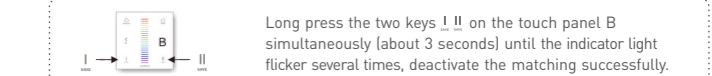
## Match/Clear Code between Touch Panels:

LTECH

### Match code:

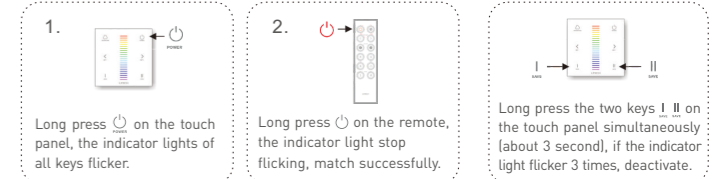


### Clear code:



## Match/Clear Code between Touch Panel & Remote:

### Match code:



### Clear code:

