

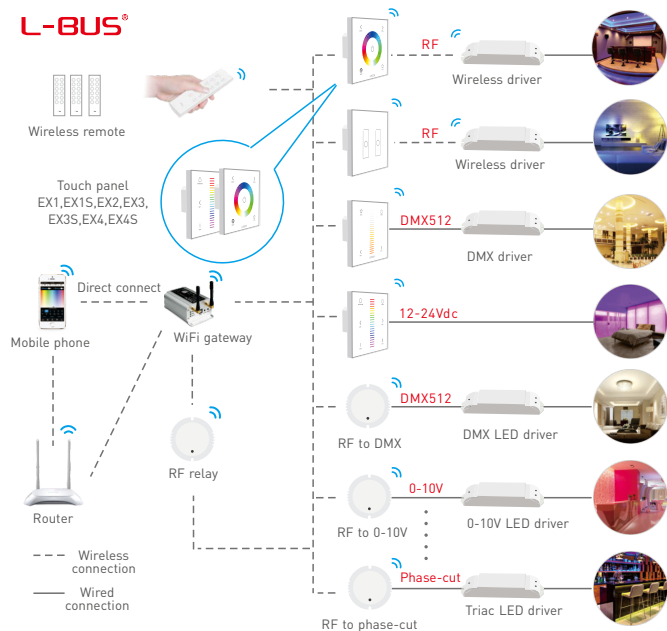
# EX Series Touch Panel



EX1 (Dimming)    EX1S (Dimming)    EX2 (CT)    EX3 (RGB)    EX3S (RGB)    EX4 (RGBW)    EX4S (RGBW)

Manual  
www.ltech-led.com

## L-BUS®



## Product features

LTECH

- Adopt wireless RF and wired DMX512 protocol 2 in 1 control mode, more flexible and convenient for project installation.
- Advanced RF wireless sync/zone control technology, make sure dynamic color modes synchronously among multiple drivers.
- Install touch panel at different areas, can control the same LED light, achieve multi-panel control, no quantity limited.
- Touch keys with chord and LED indicator.
- Adopts capacitive touch control technology makes LED dimming selection more user-friendly.
- Compatible with remote and APP control.

## Technical specs

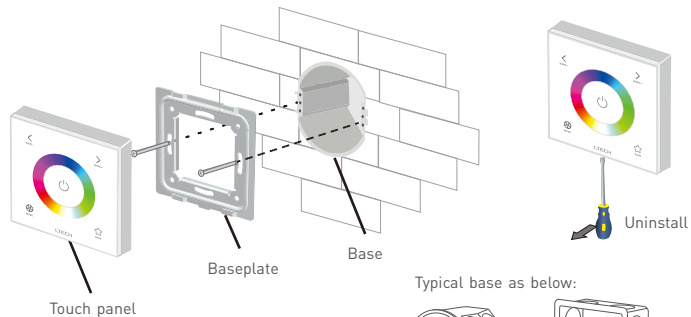
Model	EX1	EX1S	EX2	EX3	EX3S	EX4	EX4S
Control type	Dimming		CT	RGB		RGBW	
Input voltage	100-240Vac						
Output signal	RF 2.4GHz, DMX512						
Working temp.	-20°C-55°C						
Dimensions	L86×W86×H36(mm)						
Package size	L113×W112×H50(mm)						
Weight[G.W.]	225g						



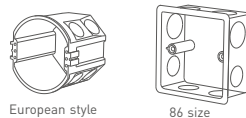
RCM certification No.: RCMP17114 001

## Installation instruction

LTECH

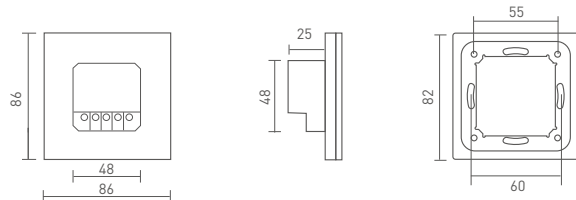


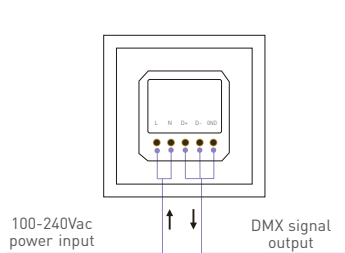
Typical base as below:



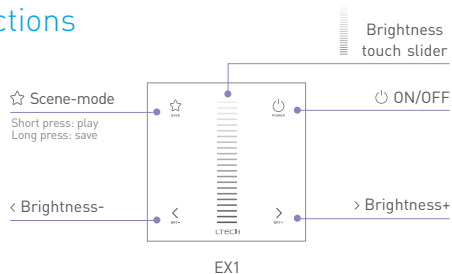
## Product size

Unit: mm

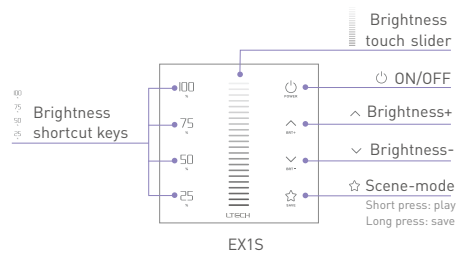




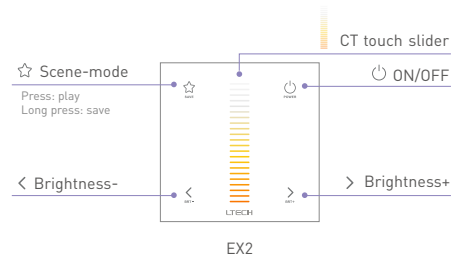
# Key functions



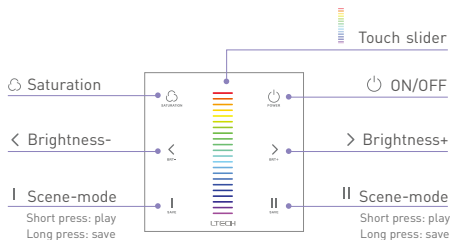
\* When blue status light of key is on, long press to turn on/off buzzer.  
When white status light of key is on, long press to match code.



\* When blue status light of key is on, long press to turn on/off buzzer.  
When white status light of key is on, long press to match code.

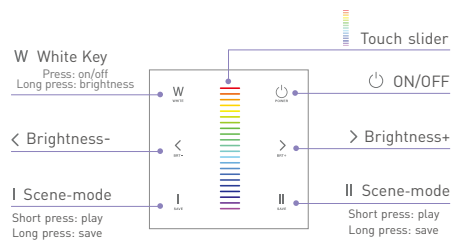


\* When blue status light of key is on, long press to turn on/off buzzer.  
When white status light of key is on, long press to match code.



EX3

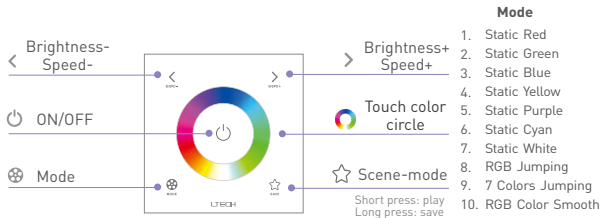
\* EX3 panel's 2 scene-mode keys are corresponding with WiFi-106 gateway APP's 1 & 2 scene-mode key, the scenes can be changed by APP or panel.



EX4

\* EX4 panel's 2 scene-mode keys are corresponding with WiFi-106 gateway APP's 1 & 2 scene-mode key, the scenes can be changed by APP or panel.

### Mode



EX3S

\* When blue status light of key is on, long press to turn on/off buzzer.  
When white status light of key is on, long press to match code.

- Mode**
1. Static Red
  2. Static Green
  3. Static Blue
  4. Static Yellow
  5. Static Purple
  6. Static Cyan
  7. Static White
  8. RGB Jumping
  9. 7 Colors Jumping
  10. RGB Color Smooth
  11. Full-color Smooth



EX4S

\* When blue status light of key is on, long press to turn on/off buzzer.  
When white status light of key is on, long press to match code.

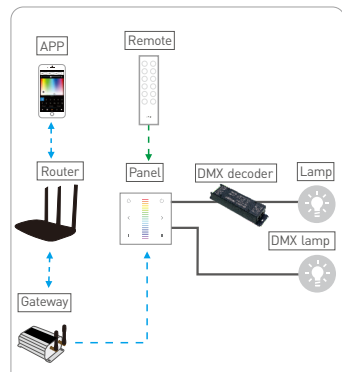
\* White light only: press key to choose black mode, then press key for white light.

1. Static Red
2. Static Green
3. Static Blue
4. Static Yellow
5. Static Purple
6. Static Cyan
7. Static White
8. RGB Jumping
9. 7 Colors Jumping
10. RGB Color Smooth
11. Full-color Smooth
12. Static Blue (only close RGB)

# Match code sequence



## DMX System Wiring

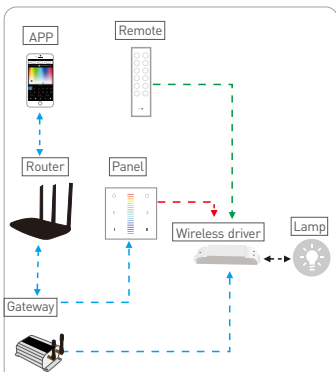


\* PS: No router needed when gateway works with phone directly.

### Match Code Sequence

1. Configure gateway with panel, which enables the smart phone to control DMX devices via gateway.
2. Configure remote with panel, which enables remote to control DMX devices.

## Wireless System Wiring



\* PS: No router needed when gateway works with phone directly.

### Match Code Sequence

1. Wireless driver & gateway.
2. Panel & gateway.
3. Remote & panel, remote & wireless driver.

# Application composition



## DMX512 control

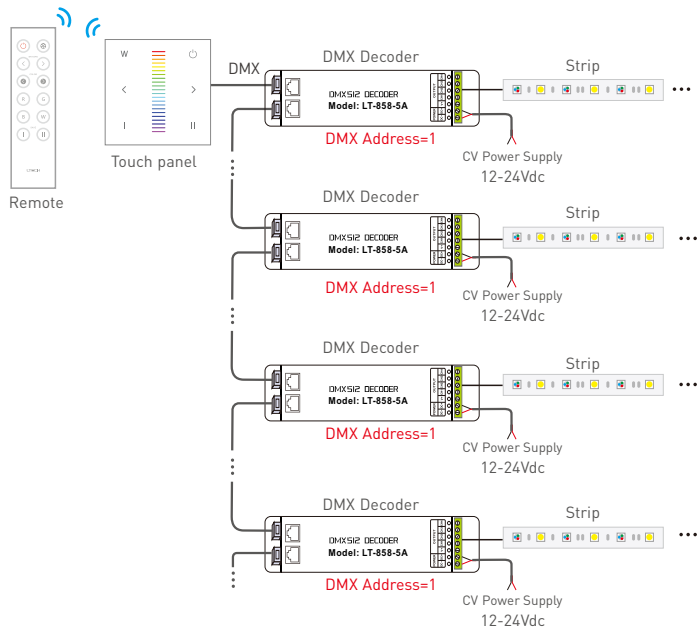
1. Touch panel + DMX driver + Lamp
2. Remote + Touch panel + DMX driver + Lamp
3. WiFi master controller + Touch panel + DMX driver + Lamp
4. WiFi master controller + Remote + Touch panel + DMX driver + Lamp

## Wireless control

1. Touch panel + Wireless driver + Lamp
2. Remote + Touch panel + Wireless driver + Lamp
3. WiFi master controller + Touch panel + Wireless driver + Lamp
4. WiFi master controller + Remote + Touch panel + Wireless driver + Lamp

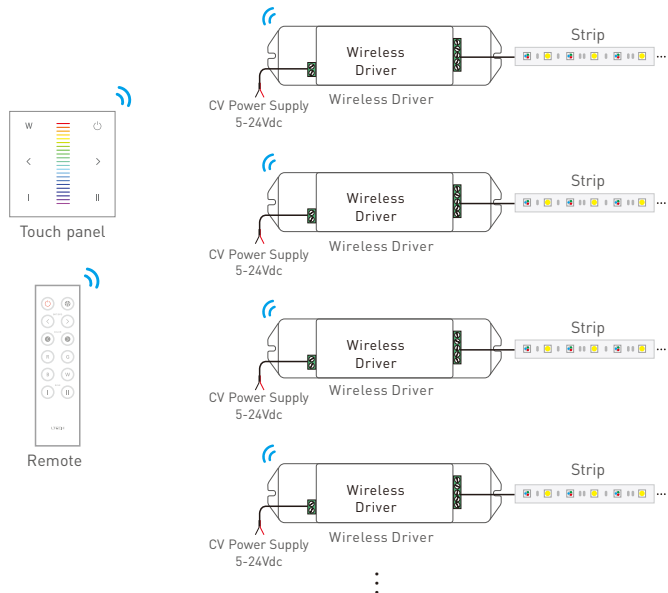
## DMX wiring

LTECH



## RF wireless wiring

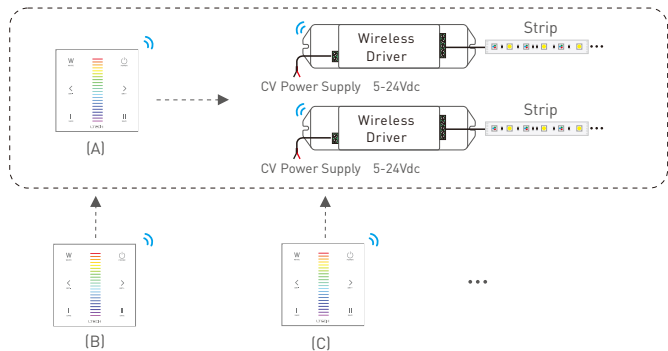
LTECH



Multiple wireless receivers (F4-3A/F4-5A/F4-CC/F4-DMX-5A/F5-DMX-4A) can be matched up with EX series touch panel within effective distance.

## Multi-panel control wiring


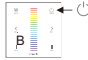
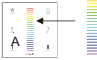
LTECH



- \* After touch panel A realizes controlling the lamps, if B and C are matched up with A, they can also control the lamps.
- \* Linkage control is also available at connecting with DMX decoders.


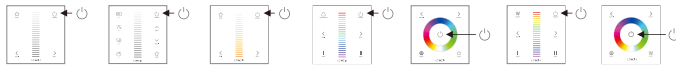
## Match code between touch panels

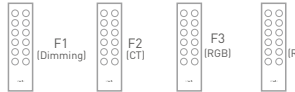
LTECH

1. Assuming that B matches with A, long press  on B until all indicator lights in all zones flicker. 
2. Touch the slider on A within 15s, when indicator lights of B stop flicking, match successfully. 

## Match code between touch panel & remote

- EX1/EX1S works with remote F1. EX3/EX3S works with remote F3.  
EX2 works with remote F2. EX4/EX4S works with remote F4.

- Long press  on touch panel until all indicator lights flicker.
- 
- EX1 (Dimming)    EX1S (Dimming)    EX2 (CT)    EX3 (RGB)    EX3S (RGB)    EX4 (RGBW)    EX4S (RGBW)

2. Press any key on remote, indicator light of touch panel stop flicking, match successfully.
- 
- F1 (Dimming)    F2 (CT)    F3 (RGB)    F4 (RGBW)

\* Please match/clear code when  status light of panel is white.

## Match code between Touch Panel & wireless driver **LTECH**

Touch panels can work with wireless driver F4-3A/F4-5A/F4-CC./F4-DMX-5A/F5-DMX-4A.

### Method 1:

1. Power off the driver.



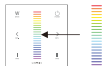
2. Long press On/Off key of the panel until all indicator light flicking.



3. Power on the driver, the lamps flicker slowly, please complete step 4 within 15s.



4. Short press any key or color circle/slider, match successful.



### Method 2:

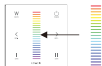
1. Short press "ID learning button" on EBOX-AD, the lamps flicker, please complete step 2 within 15s.



2. Long press On/Off key on panel until all indicator light flicker.



3. Short press any key or color circle/slider, match successful.



\* Please match/clear code when status light of panel is white.

## Match code between touch panel & gateway **LTECH**

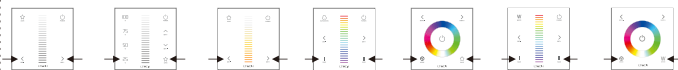
1. Long press on touch panel until indicator lights flicker.



2. Turn on APP, Click "ZONE" key to enter "zone set" interface, click the right top "MATCH" key, then operate following the prompt.



## Clear code



Press the bottom two key on touch panel simultaneously for 6s, the indicator lights flicker several times, clear code successfully.

\* Please match/clear code when status light of panel is white.

\* No further notice if any changes in the manual.  
Product function depends on the goods.  
Please feel free to contact our official distributor if any question.