

Product features

LTECH

- Adopt wireless RF and wired DMX512 protocol 2 in 1 control mode, more flexible and convenient for project installation.
- Advanced RF wireless sync/zone control technology, make sure dynamic color modes synchronously among multiple drivers.
- Four zones can be combined arbitrarily, for example: zone 1 and zone 2 as a group, or zone 1, zone 3, zone 4 as a group, or all the 4 zones as a group.
- No limit the quantity of drivers in each zone, and all color modes keep synchronously.
- support multiply panels linkage control, no quantity limitation.
- Touch keys with chord and LED indicator.
- Adopts capacitive touch control technology on the full color wheel, make LED color selection more user-friendly.
- Compatible with remote and APP control.

Technical specs

Model	EX5	EX6	EX7	EX7S	EX8	EX8S
Control type	Dimming	CT	RGB		RGBW	
Input voltage	100-240Vac					
Output signal	RF 2.4GHz, DMX512					
Zone	4 zones					
Working temp.	-20°C~55°C					
Dimensions	L86×W86×H36(mm)					
Package size	L113×W112×H50(mm)					
Weight(G.W.)	225g					

FC CE RoHS

warranty
5 years

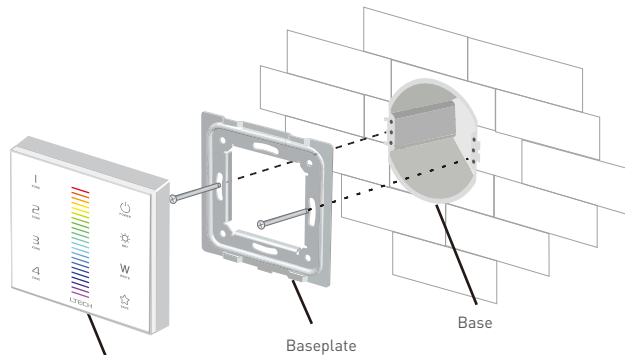
ISO9001:2008



RCM certification No.: RCMP17114 001

Installation instruction

LTECH



Touch panel

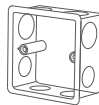
Baseplate

Base

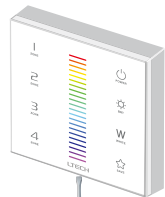
Typical base as below:



European style



86 size



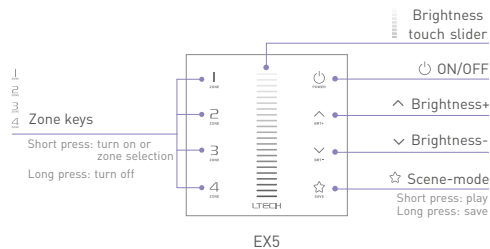
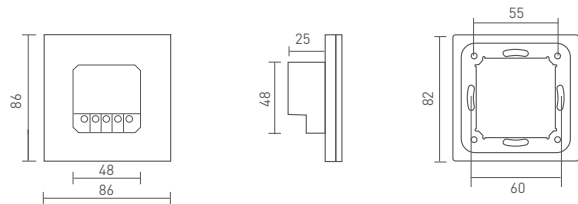
Uninstall

Product size Unit: mm

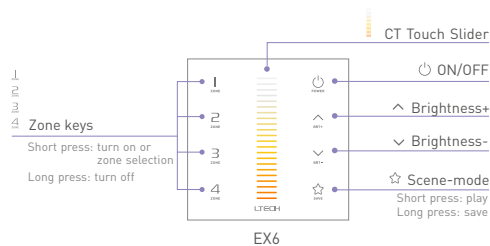
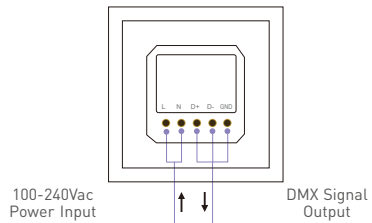
LTECH

Key functions

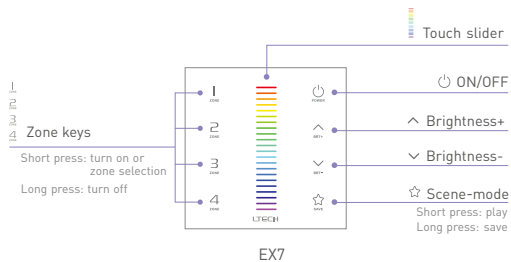
LTECH



Terminals

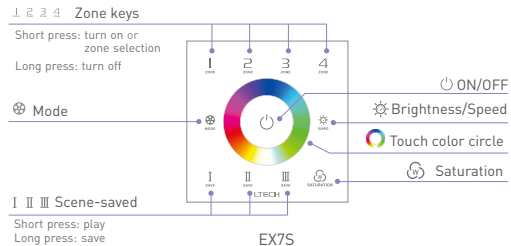


- * When blue status light of key is on, long press to turn on/off buzzer.
When white status light of key is on, long press to match code.

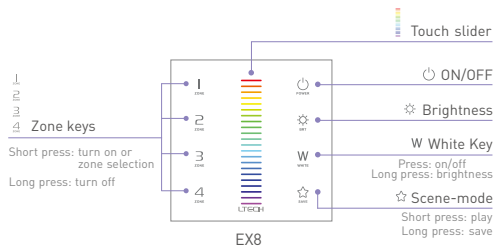


Mode

1. Static Red
2. Static Green
3. Static Blue
4. Static Yellow
5. Static Purple
6. Static Cyan
7. Static White
8. RGB Jumping
9. 7 Colors Jumping
10. RGB Color Smooth
11. Full-color Smooth



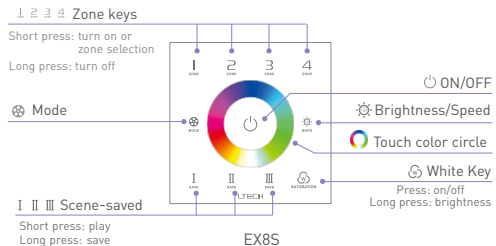
- * When blue status light of key is on, long press to turn on/off buzzer. When white status light of key is on, long press to match code.



- * White light only: press "W" key to turn on white light under OFF status.

Mode

1. Static Red
2. Static Green
3. Static Blue
4. Static Yellow
5. Static Purple
6. Static Cyan
7. Static White
8. RGB Jumping
9. 7 Colors Jumping
10. RGB Color Smooth
11. Full-color Smooth
12. Static Black (only close RGB)

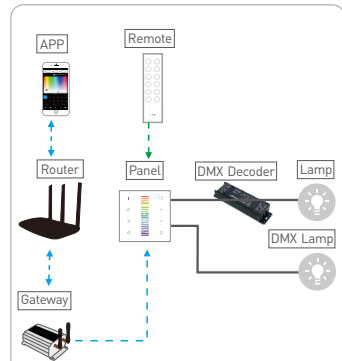


- * When blue status light of key is on, long press to turn on/off buzzer. When white status light of key is on, long press to match code.
- * White light only: press key to choose black mode, then press key for white light.

Match code sequence



DMX system wiring

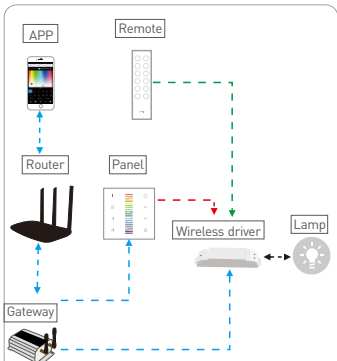


* PS: No router needed when gateway works with phone directly.

Match Code Sequence

1. Configure gateway with panel, which enables the smart phone to control DMX devices via gateway.
2. Configure remote with panel, which enables remote to control DMX devices.

Wireless system wiring



* PS: No router needed when gateway works with phone directly.

Match Code Sequence

1. Wireless driver & gateway.
2. Panel & gateway.
3. Remote & panel , remote & wireless driver.

Application composition



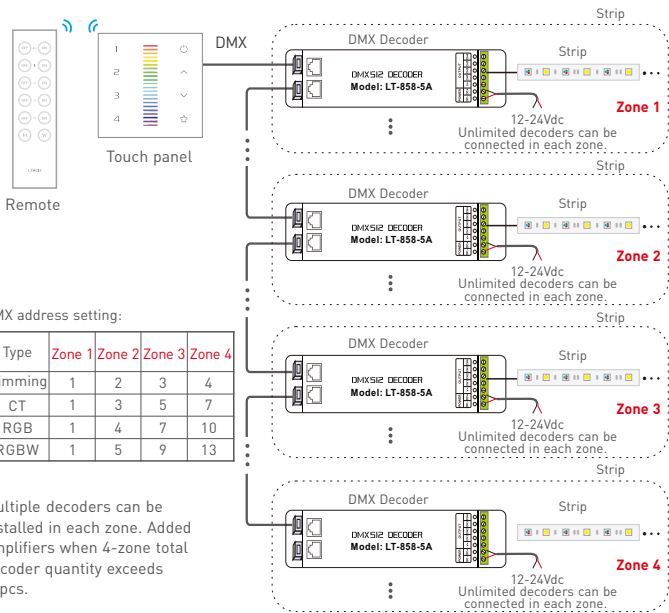
DMX512 control

1. Touch panel + DMX driver + Lamp
2. Remote + Touch panel + DMX driver + Lamp
3. WiFi master controller + Touch panel + DMX driver + Lamp
4. WiFi master controller + Remote + Touch panel + DMX driver + Lamp

Wireless control

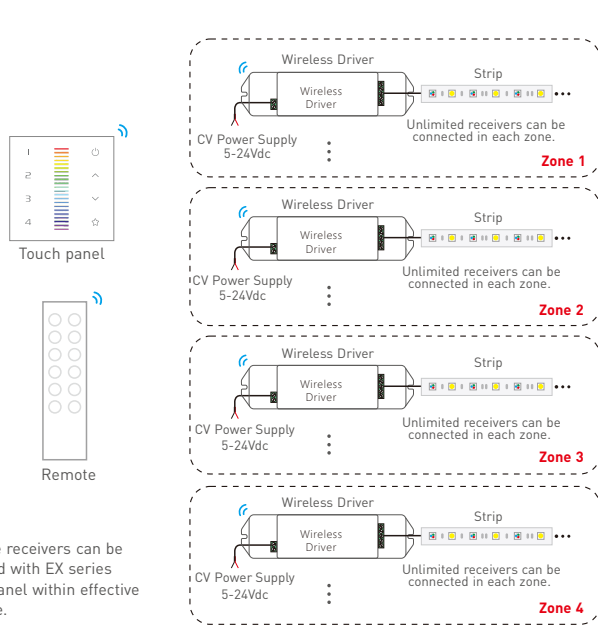
1. Touch panel + Wireless driver + Lamp
2. Remote + Touch panel + Wireless driver + Lamp
3. WiFi master controller + Touch panel + Wireless driver + Lamp
4. WiFi master controller + Remote + Touch panel + Wireless driver + Lamp

DMX wiring

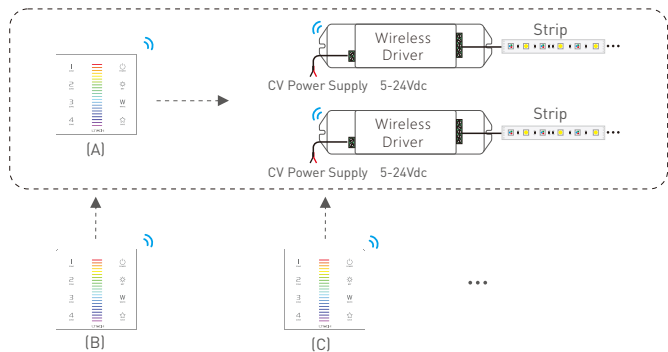


Multiple decoders can be installed in each zone. Added amplifiers when 4-zone total decoder quantity exceeds 32pcs.

RF Wireless Wiring



Multiple receivers can be matched with EX series touch panel within effective distance.



- * After touch panel A realizes controlling the lamps, if B and C are matched with A, they can also control the lamps.
- * Linkage control is also available at connecting with DMX decoders.

1. Assuming that B matches with A, long press on B until indicator lights in all zones flicker.
2. Touch the matching zone key on A within 15s, when indicator lights of B stop flickering, match successfully.

Match code between touch panel & remote

EX5 works with remote F5. EX7 works with remote F7.
EX6 works with remote F6. EX8 works with remote F8.

- Long press on touch panel until all indicator light flicker.
-
- EX5 (Dimming) EX6 (CT) EX7 (RGB) EX7S (RGB) EX8 (RGBW) EX8S (RGBW)

2. Press any key on remote, indicator light of touch panel stop flickering, match successfully.
-
- F5 (Dimming) F6 (CT) F7 (RGB) F8 (RGBW)

* Please match/clear code when indicator light of panel is white.

Match code between touch panel & wireless driver **LTECH**

Touch panels can work with wireless driver F4-3A/F4-5A/F4-CC./F4-DMX-5A/F5-DMX-4A.

Method 1:

1. Power off the driver.



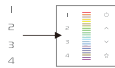
2. Long press On/Off key of the panel until all zone's indicator lights flicker.



3. Power on the driver, the lamps flicker slowly, please complete step 4 within 15s.

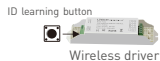


4. Short press the matching zone key, match successful.



Method 2:

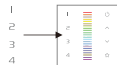
1. Short press "ID learning button" on driver, the lamps flicker, please complete the following steps within 15s.



2. Long press On/Off key on panel until all zone's indicator lights flicker.



3. Short press the matching zone key, match successfully.



* Please match/clear code when status light of panel is white.

Match code between touch panel & gateway **LTECH**

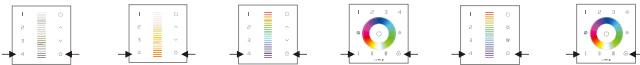
1. Long press on touch panel until indicator lights flicker.



2. Turn on APP, click "ZONE" key to enter "zone set" interface, click the right top "MATCH" key, then operate following the prompts.



Clear code



Press the bottom two key on touch panel simultaneously for 6s, the indicator light flicker several times, clear code successfully.

* Please match/clear code when status light of panel is white.

* No further notice if any changes in the manual.
Product function depends on the goods.
Please feel free to contact our official distributor if any question.