

80W DALI+PUSH Dimming power supply



■ Approve



Features

- Class II, SELV, independent
- Input Voltage 220-240VAC
- Protections: SCP/OLP/OVP
- Power Factor > 0.95
- Efficiency ≥87%
- 5 years warranty
- Support DALI-2, Push Dimming

Applications

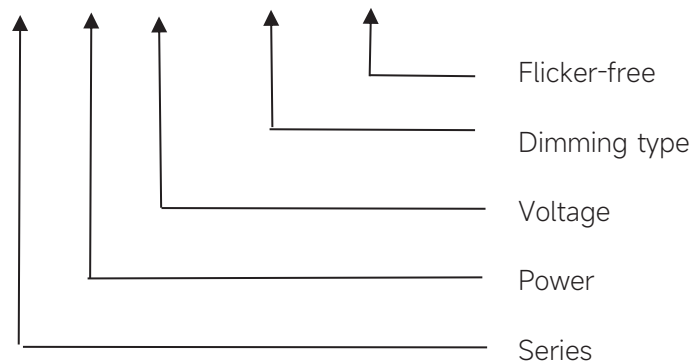
LED strips

◆ Description

LS-80-24 DALI-2 LI is an 80W constant Voltage LED driver that operates from 16-264Vac input with 24V output voltage. With its compact dimensions from 290 x 45 x 30.5 mm it is easy to integrate in LED strips products. To ensure trouble-free operation, protection is provided against output short circuit and over Load.

◆ Model code

LS-80-24 DALI-2 LI



◆ Specification

Output	Constant Voltage	24VDC
	Current Range	0-3.33A
	Voltage Accuracy	±5%
	Output HF current ripple(≥1KHz)	±1%
	Output LF current ripple(≤120Hz)	±1%
	SVM	≤0.4
	P _{st}	≤1
	Efficiency(Typ.)	87%
Input	Rated input voltage	220-240VAC
	Range of input voltage	176-264VAC
	Rated input voltage(DC)	176-280V
	Frequency(Hz)	0/50/60 Hz
	Displacement factor	≥0.9
	Power Factor	0.95
	Input Current max	0.62A MAX
	Start-up time	< 0.5 S
	No Load Power	≤0.5W
	Standby Power	≤0.5W
	Network standby power	≤0.5W
	THD (Typ.)	< 25%
Dimming	Dimming	YES
	Dimming mode	DALI-2 IEC 62386-101,102,207 & Push
	Dimming depth	1%
	Dimming current range	1-100%
Protection	Over Load Protection	105-150% rated output power YES/Auto Resume
	Over Voltage Protection	>25.2VDC Protection type: Auto Resume
	Short circuit Protection	YES/Auto Resume
	Over Temperature Protection	YES/Auto Resume
Environment	Operating Temperature	-20°C...+45°C
	Humidity	20%-90%RH
	Tc	85°C
	Storage Temperature	-30°C...+65°C
	Life time	≥50,000h@Tc=85°C, full load
Surface	Dimension	290x45x30.5mm(LXWXH)mm

standards	EN 61347-1; EN61347-2-13; EN62384	
Others	ErP	EU 2019/2020
	RoHS	RoHS (2011/65/EU) (EU)2015/863
Note	<p>1.All parameters NOT specially mentioned are measured at 230VAC input , full load and 25°C of ambient temperature.</p> <p>2.Ripple & Noise are measured at 20MHz of bandwidth by using a 300mm twisted pair-wire terminated with a 0.1uF & 47 uF parallel capacitor.</p> <p>3.The DC input for this product is only used for emergency lighting and applies to functional and safety requirements, EMC is not considered.</p>	

◆ Model list

Number	Model number	Input		Output		
		Voltage (VAC)	Max.Current (A)	Normal working current (A)	Normal working current (A)	Power (W)
1	LS-80-24 DALI-2 LI	220-240	0.62	24	0-3.33	80

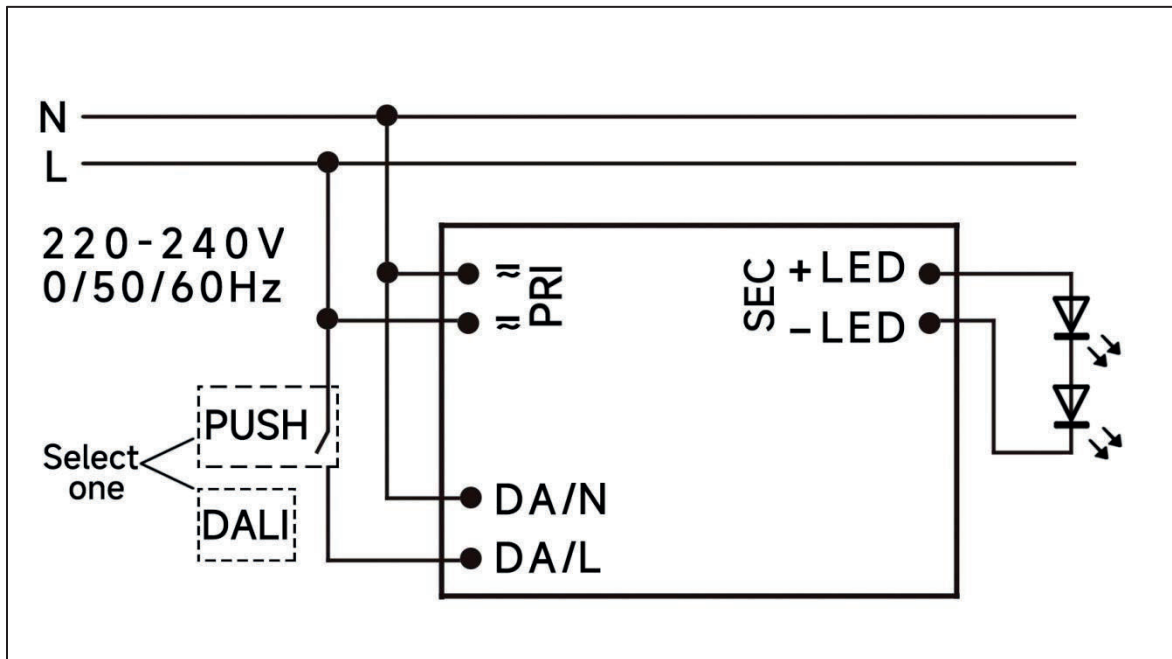
Note:

Test condition: 230Vac/50Hz, at full Load;

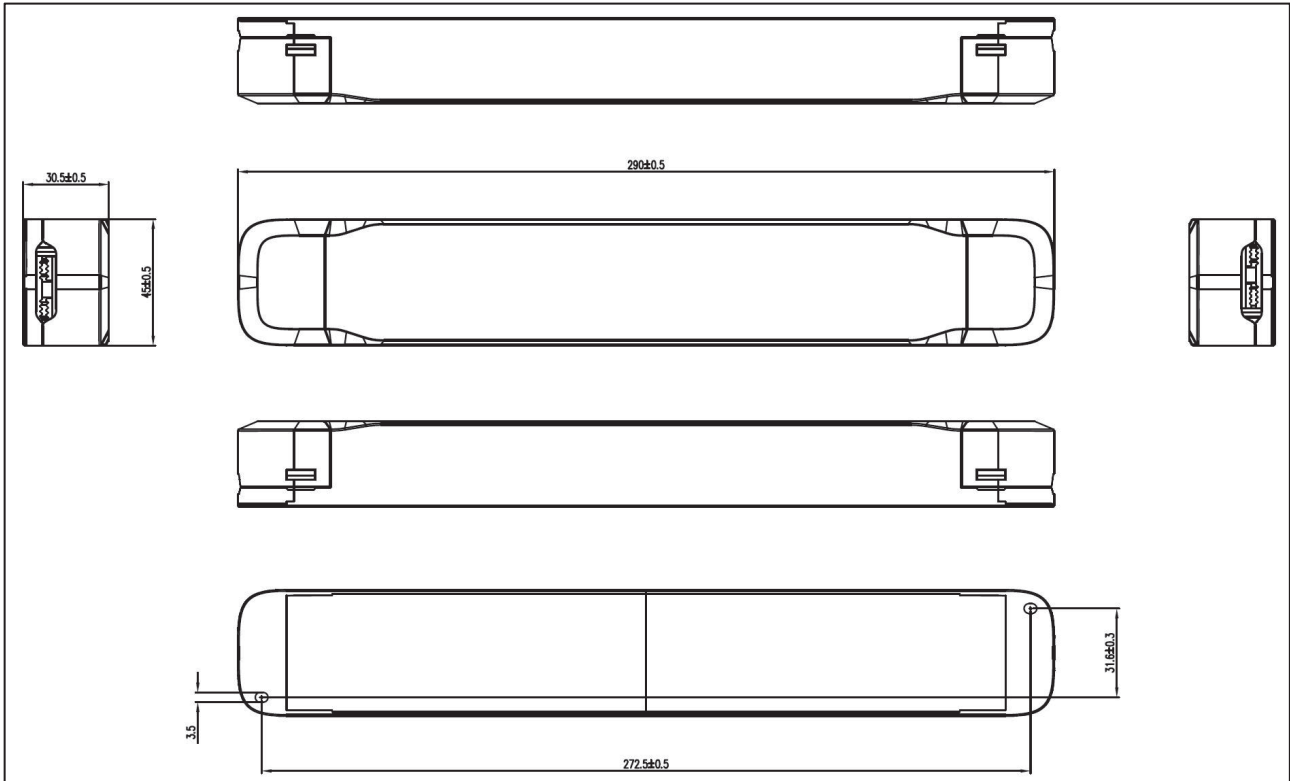
◆ Circuit Breaker

I _{peak}	T _{width}	B10	B16	B20	C10	C16	C20
33.2A	507.1μs	4pcs	7pcs	9pcs	7pcs	12pcs	15pcs

◆ Wiring diagram



◆ **2D diagram**

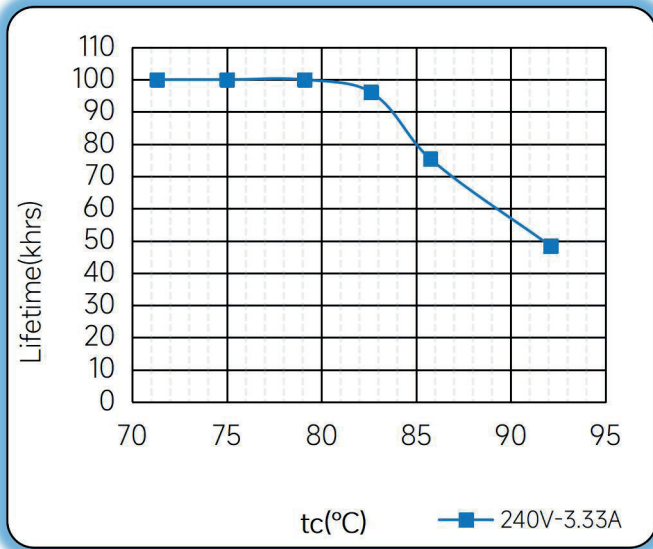


Wiring & Connections

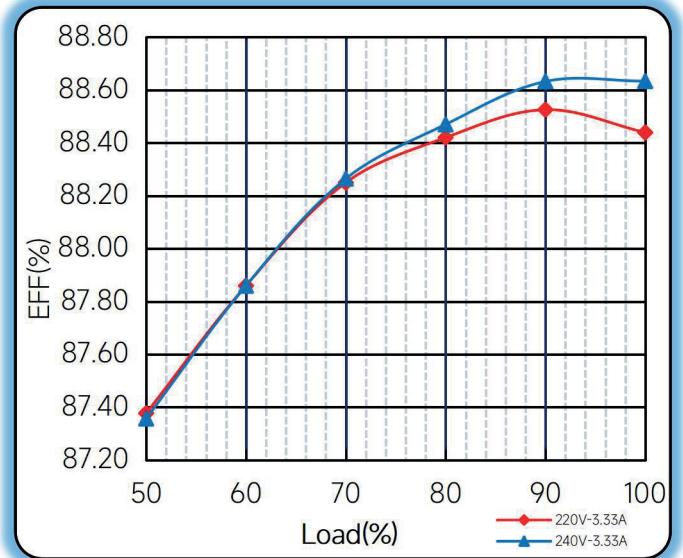
	Specification item	Value (Unit)
Input	Input wire cross-section	0.5...1.5 mm ²
	Input wire gauge.	16...20 AWG
	Input wire strip length	7...9mm
Output	Output wire cross-section	0.5...1.5 mm ²
	Output wire gauge.	16...20 AWG
	Output wire strip length	7...9mm

◆ Curve for LS-80-24 DALI-2 LI

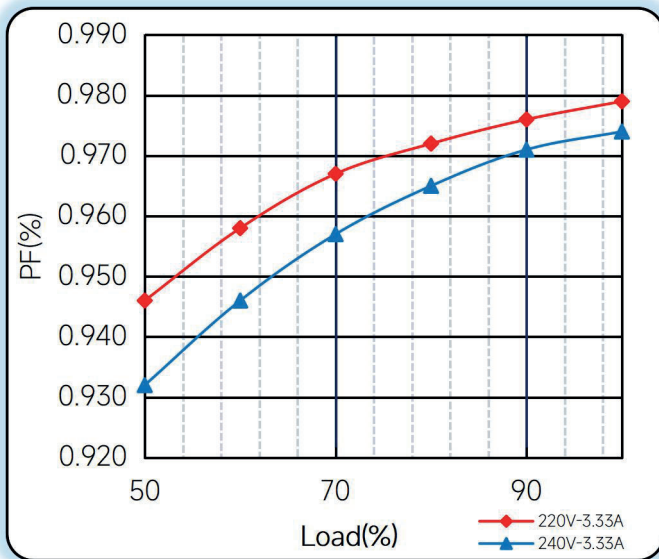
Lifetime vs. Temperature Curve



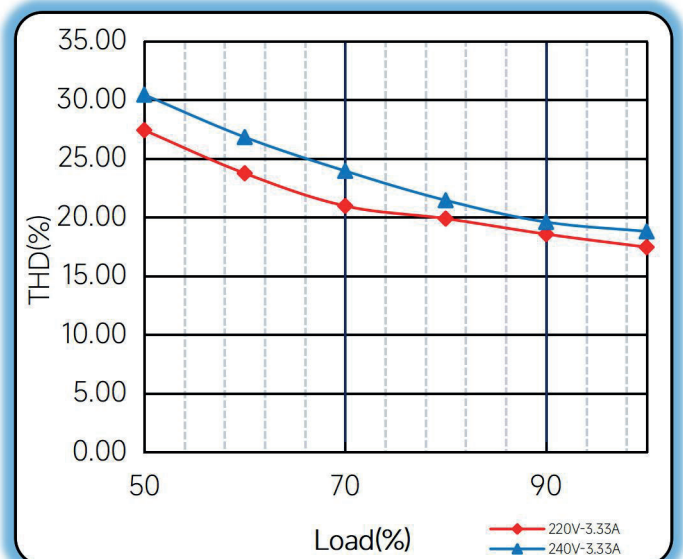
Efficiency vs. Load



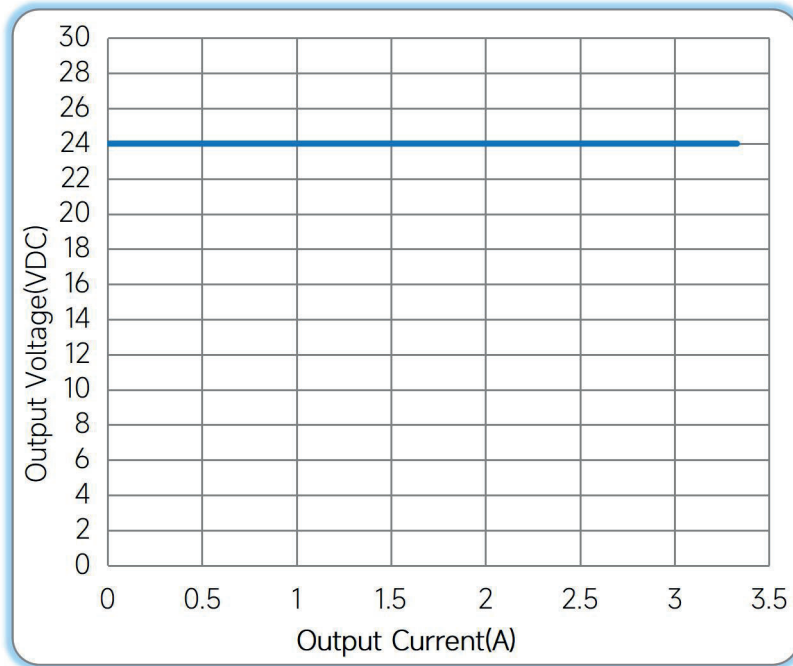
Power Factor Characteristics



THD vs. Load



◆ **Operating window**



— Operating window 100%

◆ **Revision Updates**

ITEM	BEFORE	AFTER	VERSION	DATE
Initial			A	2022/02/15