

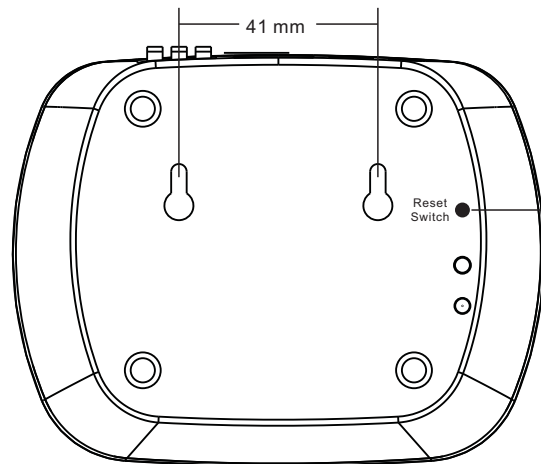
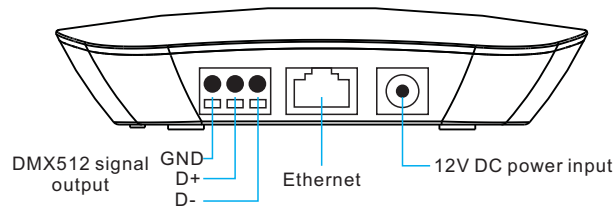
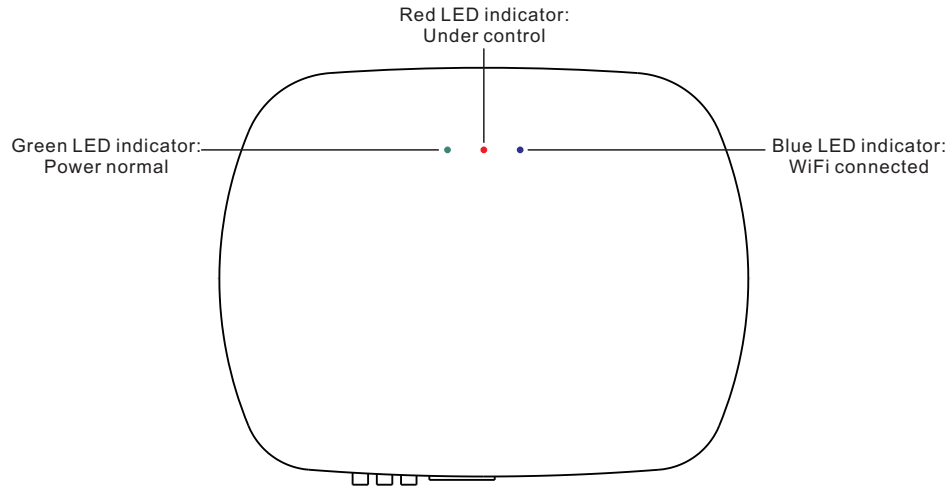
WiFi Converter



09.288WD.04157

Important: Read All Instructions Prior to Installation

Function introduction



WiFi Reset switch: press and hold down for 10S then release, the blue WiFi indicator will go off and go on again, WiFi setting will be factory reset.

Note: When the hub is configured to home router, use the button to reset WiFi setting to enable to control directly through the hub network again.

Product Data

Output	RF+DMX512 signal
Operation Frequency	2.4G
Power Supply	12VDC
Operating temperature	0-40°C
Relative humidity	8% to 80%
Dimensions	110x85x24.2mm

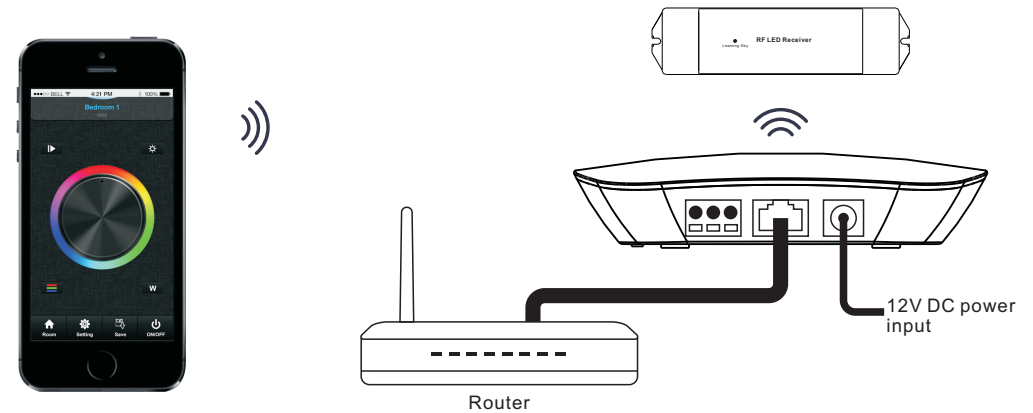
- The convertor works with RF receiver series or DMX512 decoders to be controlled by IOS or Android system via WIFI.
- Waterproof grade: IP20

Safety & Warnings

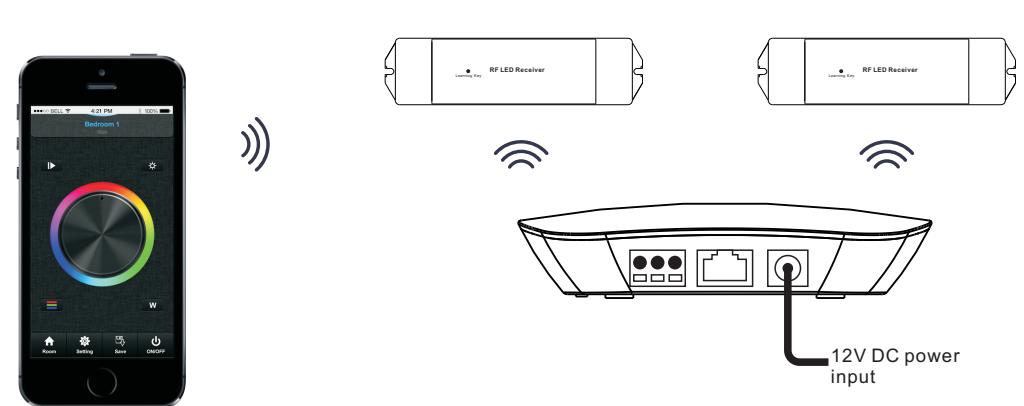
- DO NOT install with power applied to device.
- DO NOT expose the device to moisture.

Wiring diagram

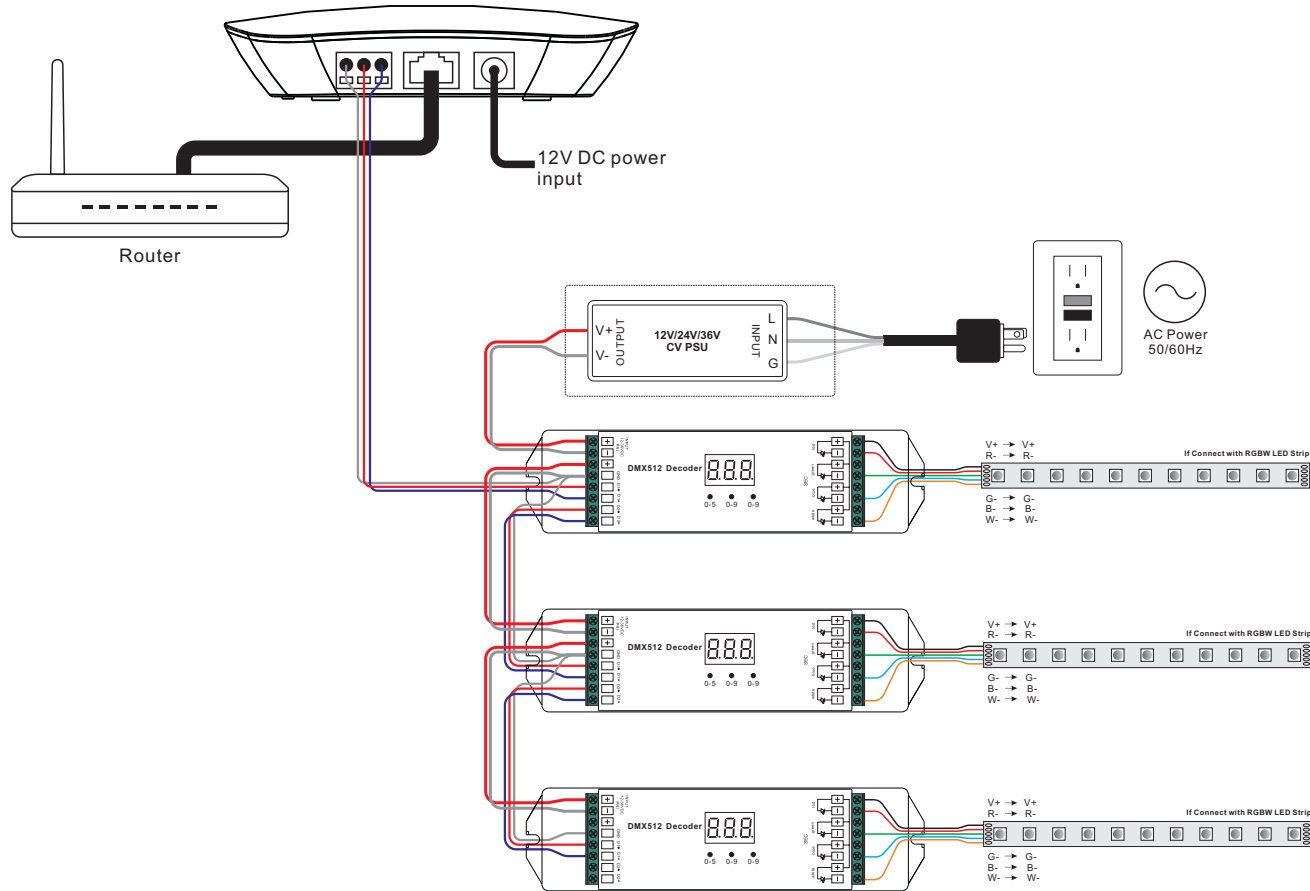
Method 1: Connect your cell phone with your home net router(WiFi-RF)



Method 2: Connect your cell phone with the convertor(WiFi -RF)



Method 3: Connect your cell phone with your home net router(WiFi -DMX512)



Operation

1. Download application from 'app store' or 'google play' by searching 'easylighting' or scanning following QR codes.

2. If the convertor has connected with router, then connect your cell phone to your router network. If the convertor did not connect with router, then connect your cell phone to the convertor network directly. (Password:0123456789)

3. Open the easylighting application and operate according the application manual.



Andriod



IOS

Set DMX Address:

Set DMX decoders' address as follows for multi-zone RF remote or EasyLighting APP:

- DMX decoders with address 001 will be controlled by zone 1,
- DMX decoders with address 005 will be controlled by zone 2,
- DMX decoders with address 009 will be controlled by zone 3,
- DMX decoders with address 013 will be controlled by zone 4,
- DMX decoders with address 017 will be controlled by zone 5,
- DMX decoders with address 021 will be controlled by zone 6,
- DMX decoders with address 025 will be controlled by zone 7,
- DMX decoders with address 029 will be controlled by zone 8.

Each zone can pair endless of DMX decoders if you set the address accordingly.