



ROM-F0

APPLICATIONS:
Open-plan office, individual office, etc.



Large angle cut-off, effective control of light glare Anti-glare modules
Touch panel dimming
Support smart control function

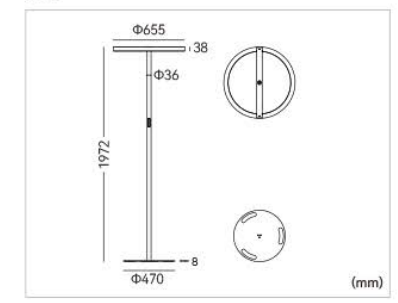
PRODUCT PARAMETERS

Luminaire Wattage	60W	80W	100W
Luminous Flux	9000lm	12000lm	15000lm
CCT	3000K / 4000K / 6000K / Tunable white		
CRI	>80		
Beam Angle	↑ 115° / 60° ↓		
UGR	<6		
Protection Rating	IP20		
Longevity	50,000Hrs L80 B10		
Dimming	Touch panel dimming		
Sensor	Daylight sensor / Motion sensor		
Colours	Silver / White / Black		
Warranty	5 years		

PRODUCT MODEL

Part No.	LM	Power	CCT
ROM-F0-60	↑ 6840lm/2160lm ↓	↑ 42W/18W ↓	3000/4000/6000K
ROM-F0-80	↑ 10080lm/1920lm ↓	↑ 64W/16W ↓	3000/4000/6000K
ROM-F0-80-CCT	↑ 8800lm/1600lm ↓	↑ 64W/16W ↓	3000-5700K
ROM-F0-100	↑ 13200lm/1800lm ↓	↑ 85W/15W ↓	3000/4000/6000K
ROM-F0-100-CCT	↑ 11500lm/1500lm ↓	↑ 85W/15W ↓	3000-5700K

SIZE



LIGHT DISTRIBUTION

