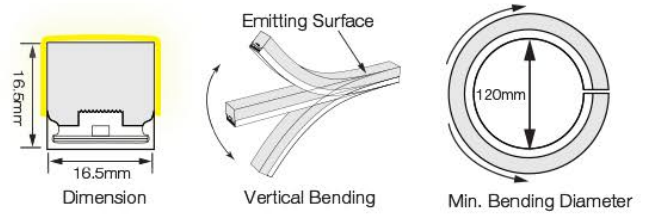
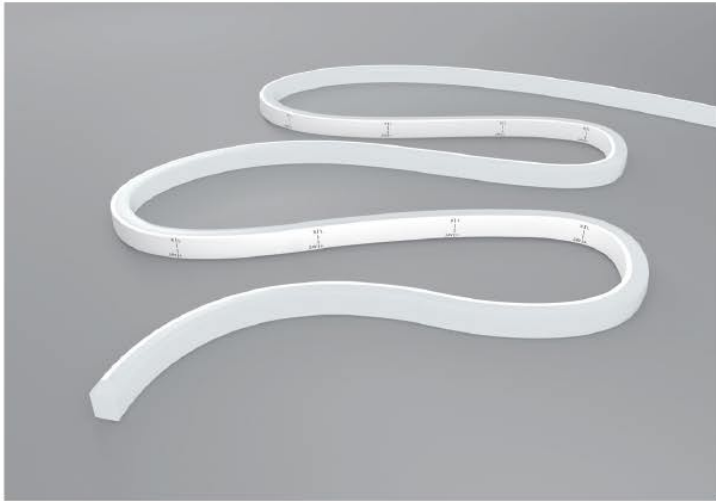


SF18

SF18

Specification



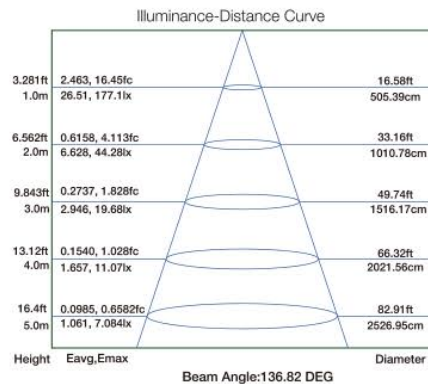
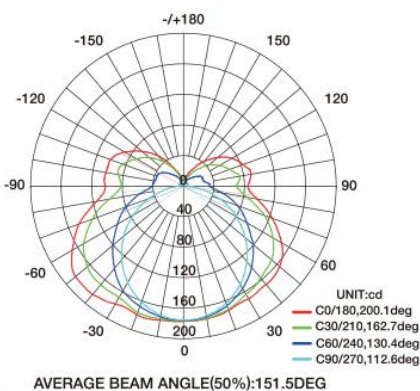
210° Beam Angle	Ansi C78.377	SDCM<3	One Bin	Dimmable	IP68 Submersible
Ambient Temp. -40°C to 55°C	Class 3	LM-80	IK08	UV Resistant	Anti-Yellowing
Flame Resistant	Saltwater Resistant	Solvents Resistant	Dirt Resistant	CE	RoHS
CB	5 years warranty				

Technical Parameters

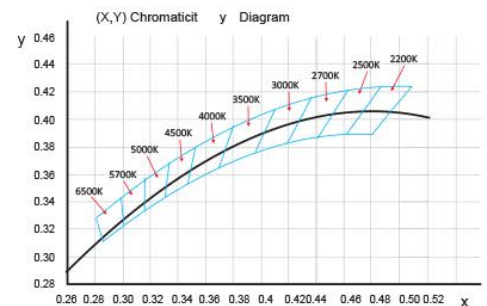
Electrical	
Input Voltage	24V DC
Power Consumption	15W/m
Physical	
LED Count	84 LEDs/m
Cutting Unit	7 LEDs
Cutting Unit Length	83.3 mm
Minimum Bend Diameter	120mm
Output	
LED Light	Epistar SMD LED 5050
CRI	>80, >90
Max Run Length*	
Single Feed	8 M
Double Feed	16 M
Beam Angle	210°
Lumen Maintenance	70,000 Hours L70 @ 25°C 50,000 Hours L70 @ 50°C
Temperature Ranges	
Installation	0°C to 50°C
Operating	-40°C to 55°C
Dependability	
Warranty	5 Years Warranty
IP Rating	IP68 Wet location submersible <2m

Optional Color	Lumen Output
	2200K(2238±102K) 930lm/m
	2700K(2725±145K) 950lm/m
	3000K(3045±175K) 977lm/m
	3500K(3465±245K) 985lm/m
	4000K(3985±275K) 990lm/m
	5000K(5029±283K) 995lm/m
	5700K(5669±355K) 1000lm/m
	6500K(6532±510K) 1050lm/m
	Green(520-530nm) 500lm/m
	Blue (455-465nm) 90lm/m
	Pink(610-620nm) 300lm/m

Illuminance Distribution

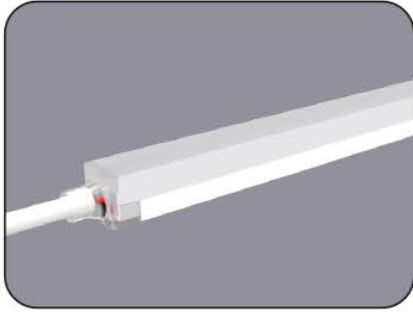


White Color Charts

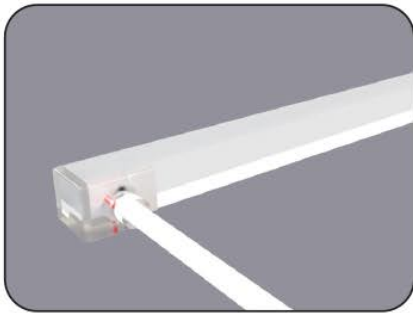
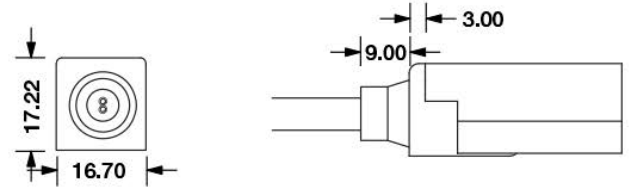


SF18 Configuration and Accessories

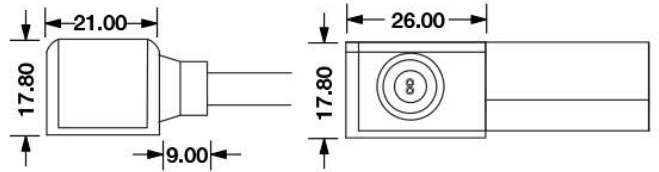
Mold Injection Connector (IP68 Factory Assembly Only)



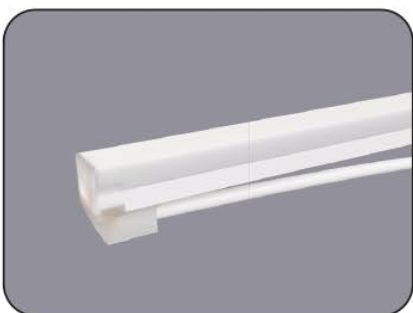
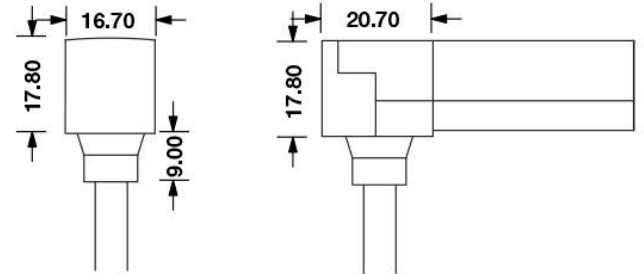
Direct Entry Connector
 MJ-SF18-A-D01/02/03
 MJ-SF18-A-D01SM
 MJ-SF18-A-D02SF
 MJ-SF18-A-D03SFM



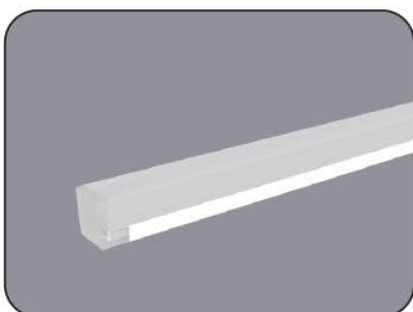
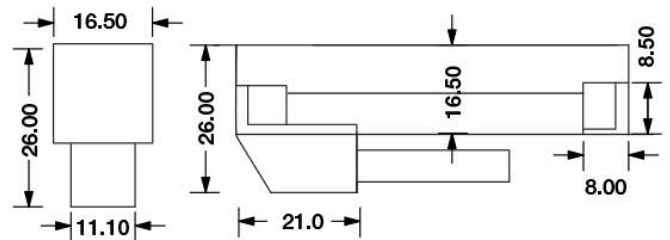
Side Entry Connector
 MJ-SF18-A-S01/02/03
 MJ-SF18-A-S01SM
 MJ-SF18-A-S02SF
 MJ-SF18-A-S03SFM



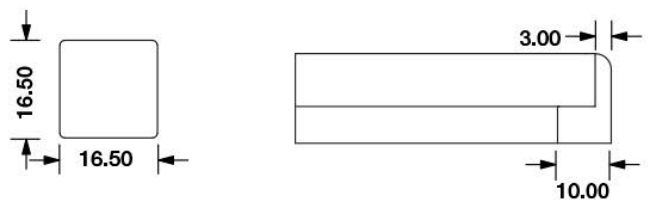
Bottom Entry Connector
 MJ-SF18-A-B01/02/03
 MJ-SF18-A-B01SM
 MJ-SF18-A-B02SF
 MJ-SF18-A-B03SFM



L Shape Entry Connector
 MJ-SF18-A-L01/02/03
 MJ-SF18-A-L01SM
 MJ-SF18-A-L02SF
 MJ-SF18-A-L03SFM

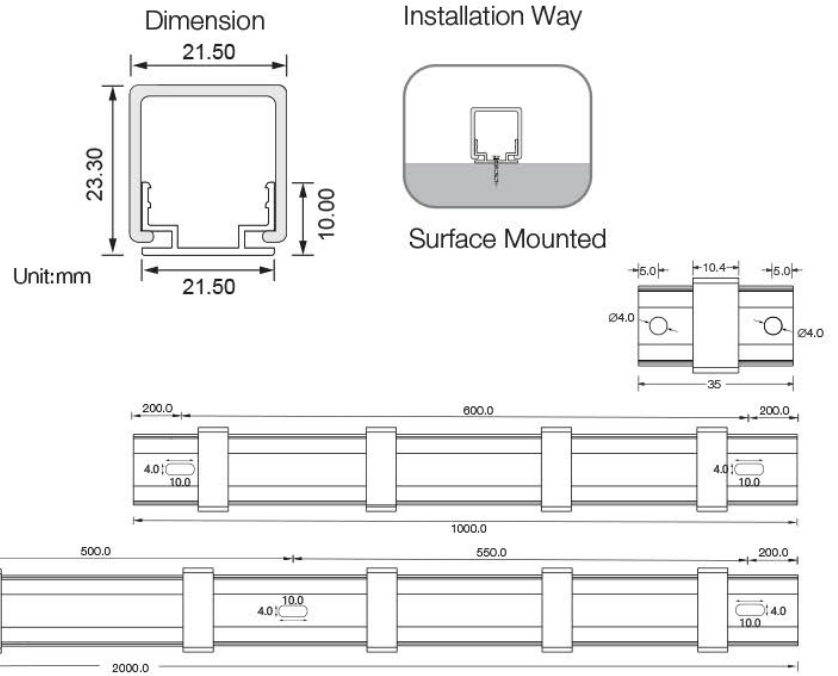


End Cap



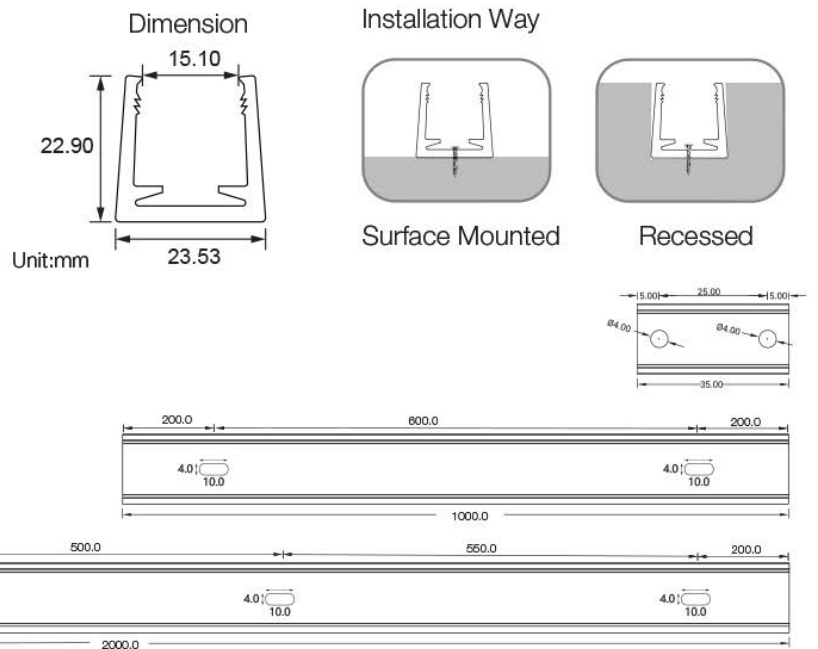
LED Linear Flex Mounting Channel

1. Aluminum Channel



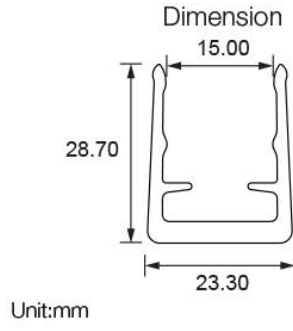
Model	W x H(mm)	Standard Length	Screw Holes	Plastic Clips	Suitable Product
ALC-PC18S02-035	21.5*23.3	35mm	Φ4.0mm*2	1	SF18
ALC-PC18S02-100		1000mm	○4.0mm*2	4	SF18
ALC-PC18S02-200		2000mm	○4.0mm*4	8	SF18

2. Plastic Channel

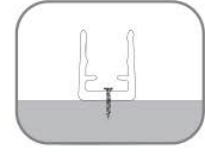


Model	W x H(mm)	Standard Length	Screw Holes	Holes Numbers	Suitable Product
PC16/17S02-T-100	23.53*22.90	1000mm	Φ4.0mm	2	SF18

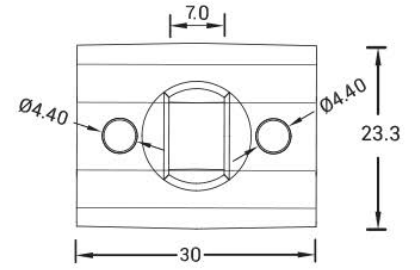
LED Linear Flex Mounting Channel



Installation Way



Surface Mounted



Model	W x H(mm)	Standard Length	Screw Holes	Holes Numbers	Suitable Product
SJJ-ZSH-008-PC	23.3*28.7	30mm	Ø4.40mm	2	SF18