

# Model



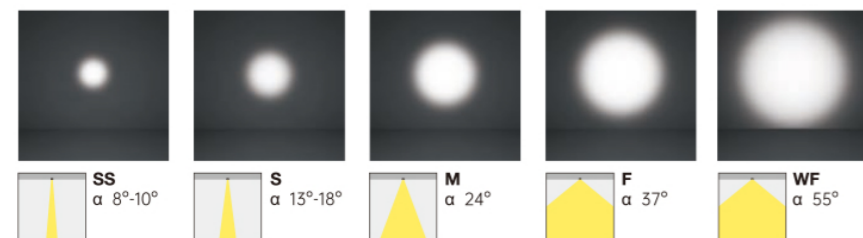
## CASAMBI



- Discover the perfect balance of innovation and elegance with the Adjustable Mini Spot, designed for seamless integration into 48V low voltage track systems.
- Precision Lighting Control: Equipped with a die-cast aluminum heat sink and passive dissipation system, ensuring optimal performance and longevity.
- Advanced Dimming Options: The plastic adapter features built-in DC/DC converters, offering DALI, Casambi, phase-cut, and 0-10V dimmable solutions. With an integrated Casambi module, enjoy independent control over dimming and switching for each spotlight.
- Flexible Adjustability: Featuring 355° rotation and 90° vertical tilt for precise directional lighting.

- High-Quality Optics: Choose from a range of aluminum reflectors with standard beam angles of 24°, 37°, and 60°, or customize with narrower 10° and 15° options for focused illumination.
- Superior Light Efficiency: Filmed tempered glass covers in clear or frosted variants provide anti-glare control while enhancing light output.
- Effortless Installation: The fast-acting mechanical and electrical connection system ensures tool-free installation onto the track.
- Premium Finish Options: Available in classic sand black/white, high-gloss black/blue/rose with PVD coatings, or luxurious brushed champagne, bronze, and gold anodized finishes to complement any design aesthetic.
- Magnetic Reflector Bezels: Offering tool-free installation and maintenance, the magnetic bezels are available in multiple colors, allowing seamless integration into any décor scheme.

### Optics



### Bezel Options(for TR11.M3-M only)



AR60.RE001 Glossy Black   AR60.RE002 Frosted Silver   AR60.RE003 Matte White   AR60.RE004 Matte Black   AR60.RE005 Matte Gold   AR60.RE006 Matte Copper

### Accessories(for TR11.M3-S & TR11.M3-M only)

**Frozen Glass Cover**  
Frosted glass cover combined with an aluminum reflector, creating a mixed light chamber that delivers soft, evenly distributed lighting.



**Spill Ring**  
Die-cast aluminum spill ring with a matte black spray-painted finish, engineered for optimal glare control and improved visual comfort.




**Honeycomb**  
Die-cast aluminum honeycomb with a matte black spray-painted finish, designed to effectively control glare and enhance visual comfort.



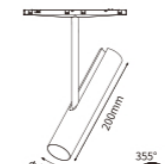
### TR11.M3-S

source W	system W	lm/W	optic	CRI
5.4W	6.5W	74lm/W	24°/37°/55°	> 90
9W	10.5W	74lm/W	24°/37°/55°	> 90
<b>CCT</b>				
2700K/3000K/4000K/1800-4000K/2700K-6500K				
<b>Finishing(base)</b>				
White/Black				
<b>Finishing(tube)</b>				
P01-P05; A01-A10; EP01-EP04				




### TR11.M3-M

source W	system W	lm/W	optic	CRI
9W	10.5W	74lm/W	10°/15°/24°/37°/55°	> 90
12.5W	15W	74lm/W	10°/15°/24°/37°/55°	> 90
<b>CCT</b>				
2700K/3000K/4000K/1800-4000K/2700K-6500K				
<b>Finishing(base)</b>				
White/Black				
<b>Finishing(tube)</b>				
P01-P05; A01-A10; EP01-EP04				



### TR11.M3-L

source W	system W	lm/W	optic	CRI
12.5W	15W	100lm/W	18°/24°/37°/55°	> 90
18W	20W	100lm/W	18°/24°/37°/55°	> 90
<b>CCT</b>				
2700K/3000K/4000K/1800-4000K/2700K-6500K				
<b>Finishing(base)</b>				
White/Black				
<b>Finishing(tube)</b>				
P01-P05; A01-A10; EP01-EP04				



### TR11.M20-S

source W	system W	lm/W	optic	CRI
5.4W	6.5W	74lm/W	24°/37°/55°	> 90
9W	10.5W	74lm/W	24°/37°/55°	> 90
<b>CCT</b>				
2700K/3000K/4000K/1800-4000K/2700K-6500K				
<b>Finishing(base)</b>				
White/Black				
<b>Finishing(tube)</b>				
P01-P05; A01-A10; EP01-EP04				

